



The right connection
The right environment

Pressure Gauge Mounting Block GMB

Ref. No. H14287
Release: Jan 2019

ENGINEERING - 1 of 2

Description

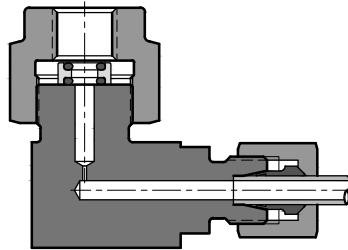
Gauge mounting blocks GMB are meant for applications where a pressure gauge is permanently connected to a pressure line (no isolator valve in between) and needs to be mounted on a hydraulic manifold or a control panel.

The mounting blocks offer following advantages,

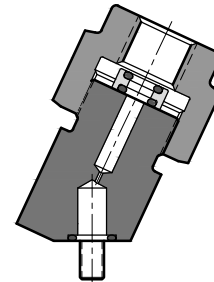
- Simple machining of the interface /panel
- Quick assembly,
- Ease of axial orientation of the Pressure gauge face for proper alignment.
- Compact and elegant assembly,
- Easy readability of the gauge.



Section



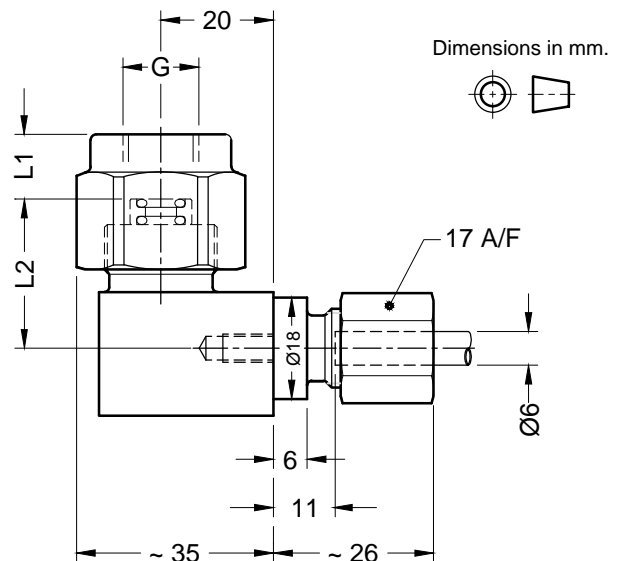
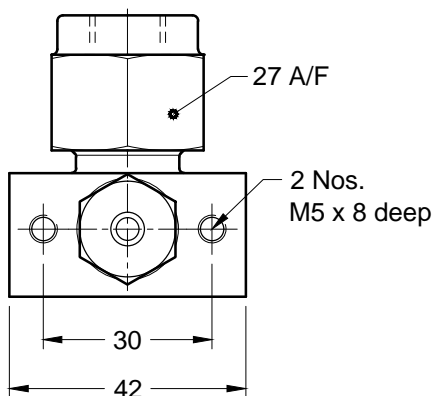
Panel Mounting, Model: GMB-P



Subplate Mounting, Model: GMB-M

Unit Dimensions

Gauge mounting Block, Panel Mounting
Model: GMB-P



G	G 1/4	G 3/8	G 1/2
L1	11.5	11.5	12.5
L2	27.5	28.5	28.5



The right connection
The right environment

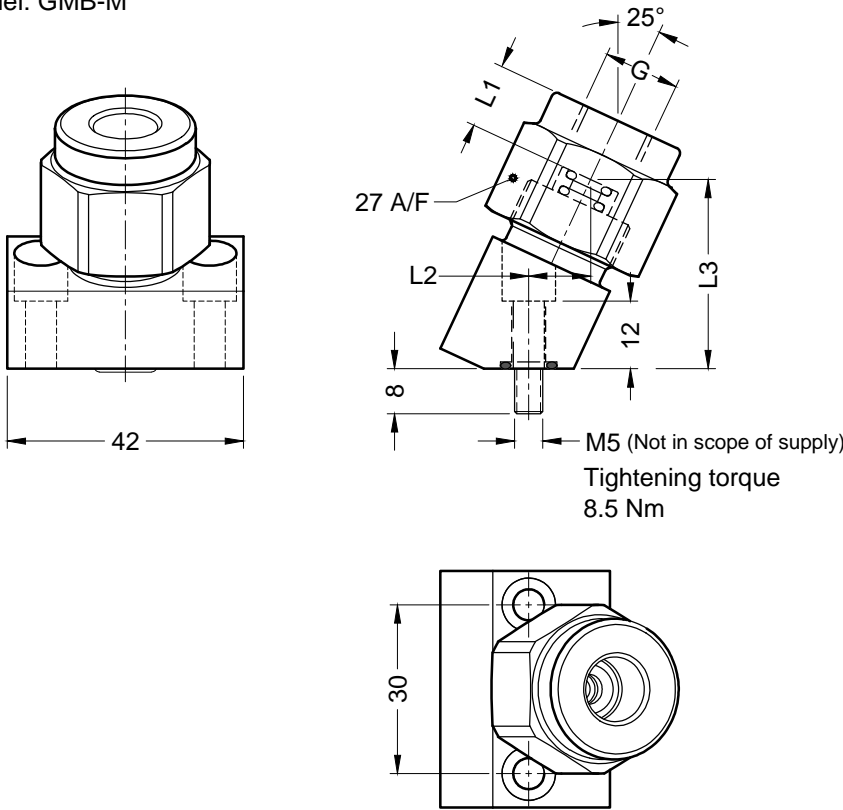
Pressure Gauge Mounting Block GMB

Ref. No. H14287
Release: Jan 2019

ENGINEERING - 2 of 2

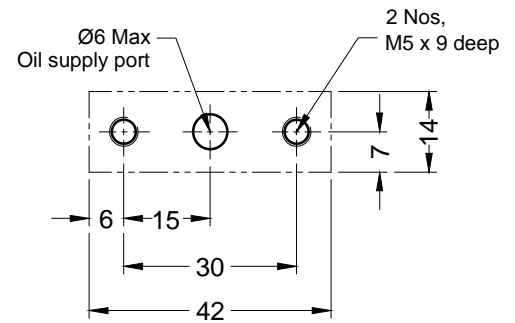
Unit Dimensions

Gauge mounting Block, Subplate Mounting
Model: GMB-M



G	G 1/4	G 3/8	G 1/2
L1	11.5	11.5	12.5
L2	11.0	11.5	11.5
L3	33.5	33.5	34.5

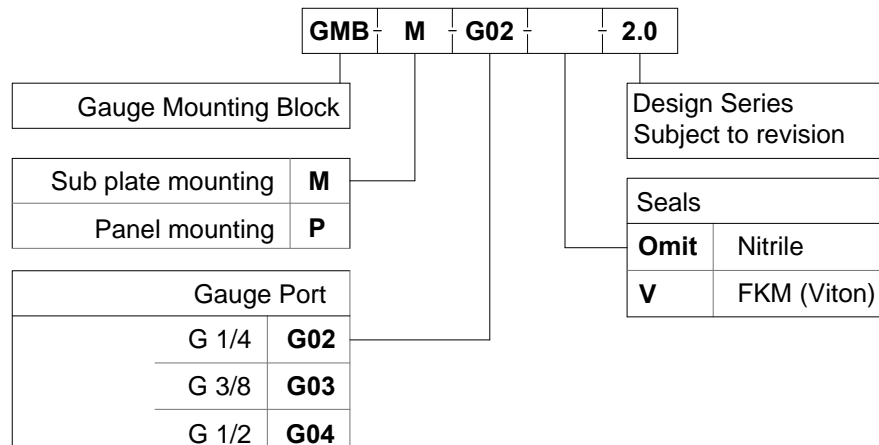
Mounting Interface



Technical Specifications

- Mounting ----- Sub-plate mounted or Panel mounted
- Interface standard ----- Factory standard.
- Mounting position ----- Optional
- Operating pressure ----- 350 bar.
- Hydraulic medium ----- Mineral oil.
- Fluid temperature range ----- -20 °C to +70 °C.

Ordering Code



All rights reserved.
Subject to change without notice.
Due to continuous improvement in the design of the product, the actual product supplied may look different than shown above.